

SHOP DRAWING NAME

ARCHITECT

GENERAL CONTRACTOR

EQUIPMENT SUPPLIED BY:

SPECIFICATIONS

SL-54 LH
 2 LANDING

Spectra-Lift

VERTICAL LIFT

CAR 36"Dx51"Wx42"H CODE(S) 4,5
 CAPACITY 750 LBS. AT 18 F.P.M.
 24 VDC HYDRAULIC POWER UNIT
 120 VAC BATTERY CHARGER

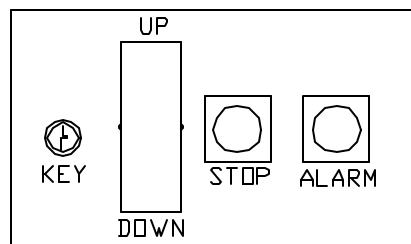
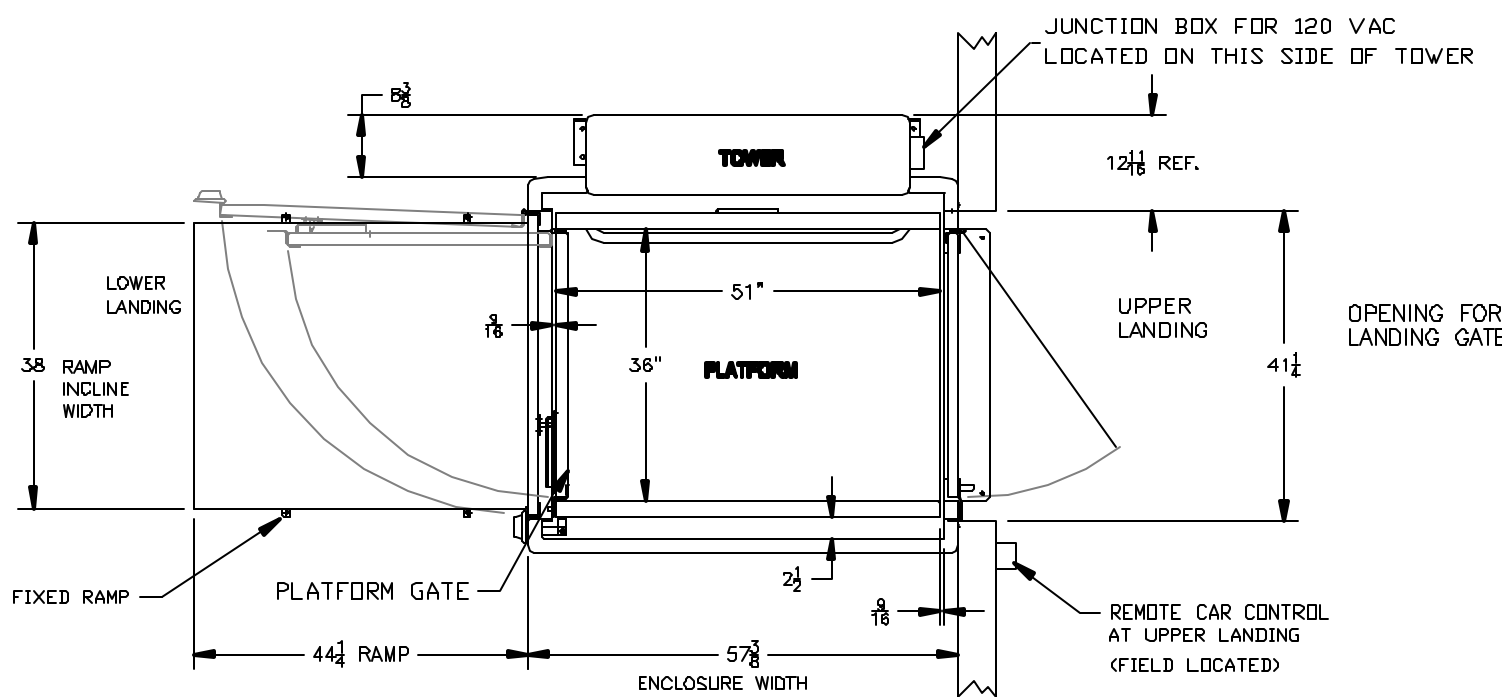
- ALL DOORS MUST BE INTERLOCKED
- KEYSWITCH OPERATION
- AUTO FOLD RAMP
- STATIONARY RAMP
- LANDING GATE w/ INTERLOCK
- PLATFORM GATE WITH INTERLOCK
- EMERGENCY ALARM
- EMERGENCY STOP
- MANUAL LOWERING
- PLATFORM SAFETY MECHANISM
- INSTANT REVERSE
- LIMIT SWITCHES
- ENCLOSURE DOORS BY INCOA
- ENCLOSURE BY INCOA

NOTICE TO ELECTRICAL CONTRACTOR:
 INSTALL 110V. SINGLE PHASE
 DISCONNECT SWITCH

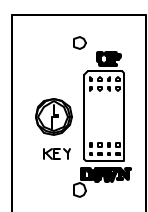
120 VAC SINGLE PHASE
 50/60 HZ
 15 AMP MAIN LINE FUSE

INCOA JOB #
 DEALER P.D. #
 DRAWING BY:
 DATE:

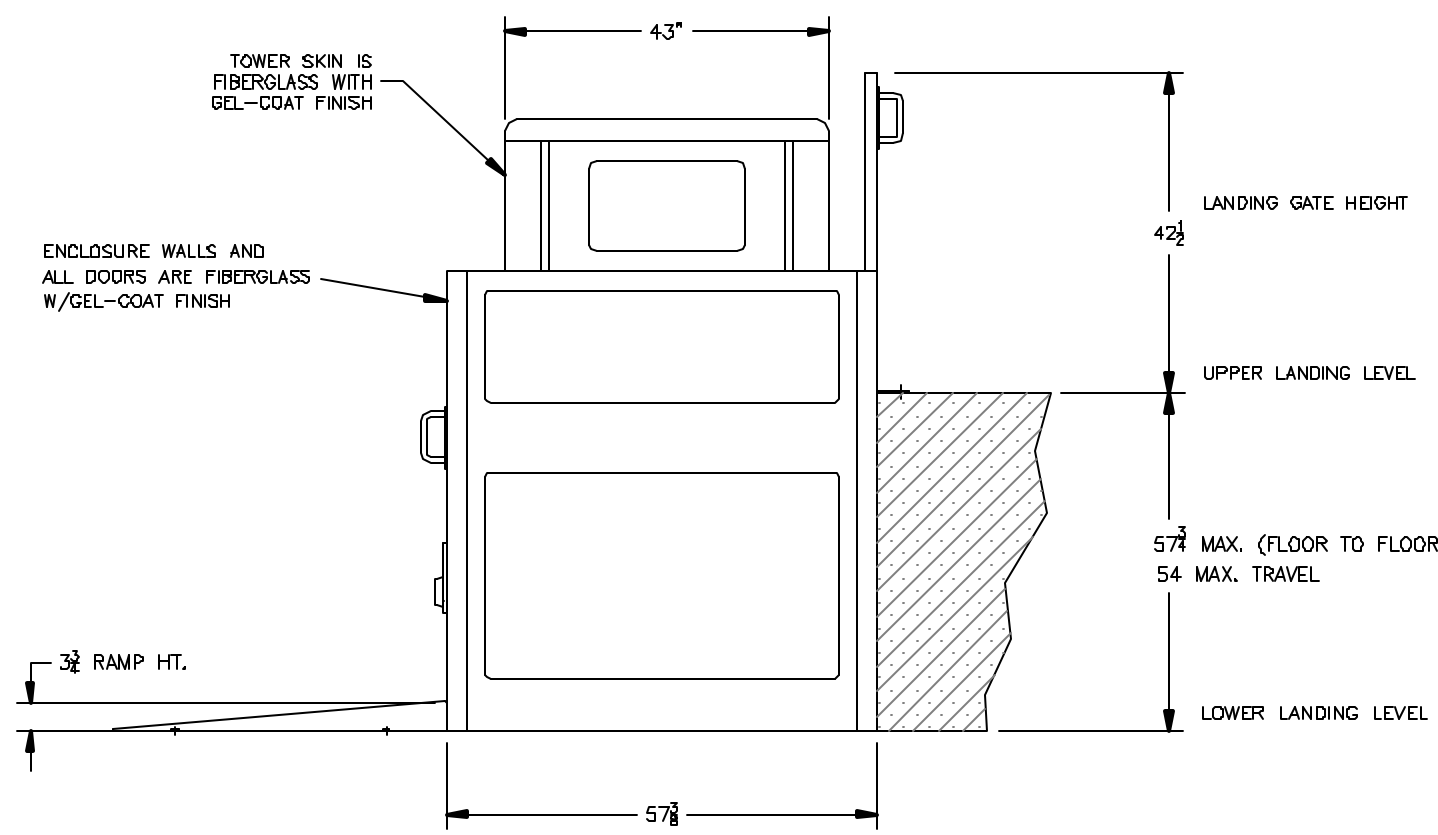
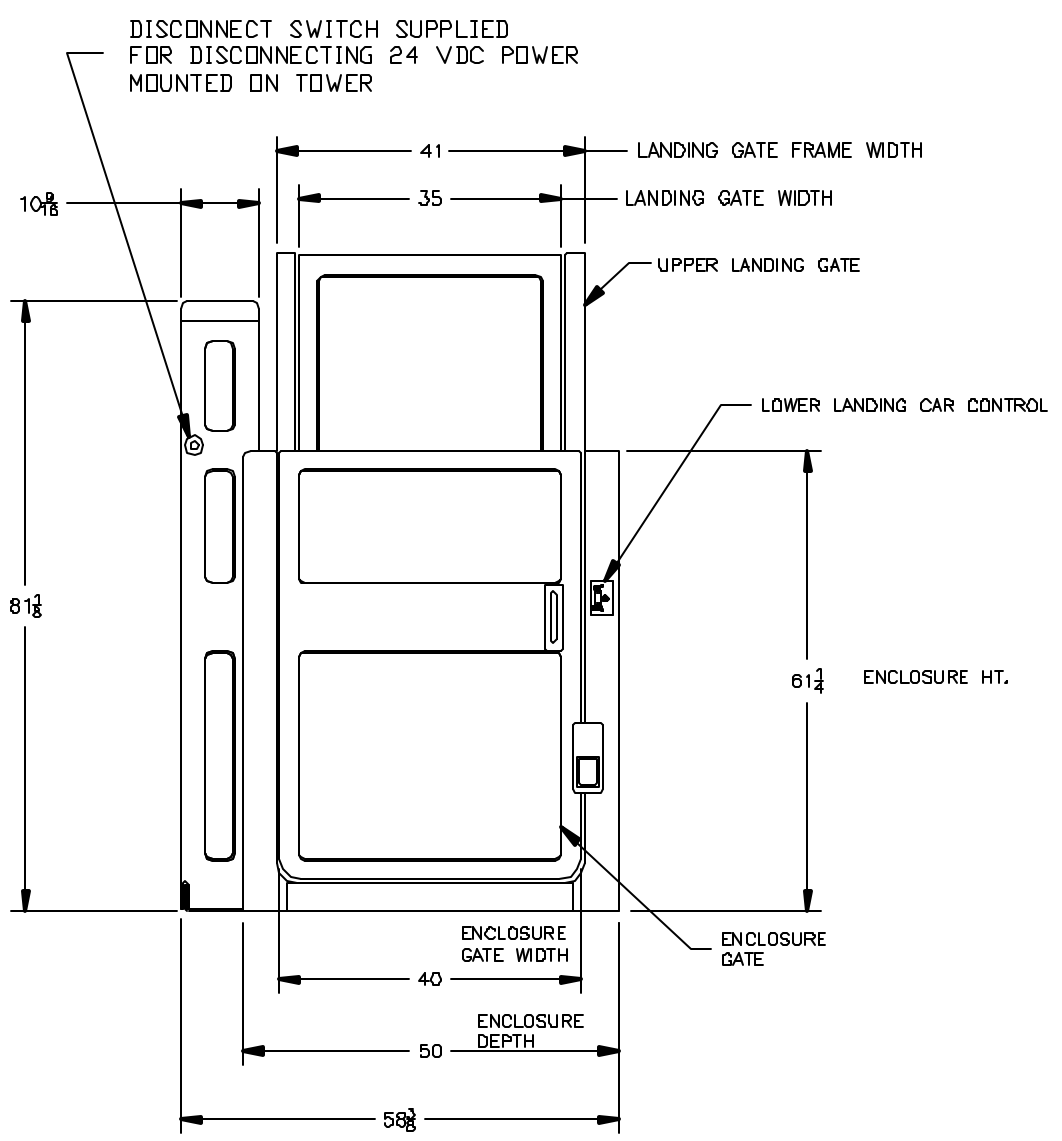
DRAWING IDENTIFICATION NUMBER



CAR CONTROL
 (MOUNTED ON
 THE PLATFORM)



CAR CONTROL
 (USES A STD. SIZE
 SURFACE MOUNT BOX
 SUPPLIED BY INCOA)



ALL DIMENSIONS ARE IN INCHES

NOTE:
 FLOOR LOAD @ CAPACITY:
 STATIC - 1965 lbs.
 DYNAMIC - 3415 lbs.